



International Journal of Innovative Research in Science Engineering and Technology (IJIRSET)

(A Monthly, Peer Reviewed, Refereed, Scholarly Indexed, Open Access Journal)



Impact Factor: 9.935

Volume 15, Issue 6, June 2026

An Intelligent Real-Time Visual Assistance System for the Visually Impaired

Ms. Priyanka Navanath Bale¹, Dr. S. A. Agrawal², Prof. V. M. Joshi³

ME Students, Department of Computer Engineering, Vishwabharti Academy's College of Engineering, Ahilyanagar, Maharashtra, Savitribai Phule Pune University, Pune, India¹

Professor, Department of Computer Engineering, Vishwabharti Academy's College of Engineering, Ahilyanagar, Maharashtra, Savitribai Phule Pune University, Pune, India^{2,3}

ABSTRACT: AI-SenseVision is an intelligent real-time visual assistance system designed to enhance the daily lives of visually impaired individuals by providing situational awareness, obstacle detection, and text recognition capabilities. The system integrates IoT technology with advanced sensor networks, leveraging a Raspberry Pi processor, camera module, and ultrasonic sensors to capture environmental data. Using object detection algorithms, AI-SenseVision identifies vehicles, pedestrians, and other obstacles in real time, providing immediate voice alerts to the user. In addition, the system includes smart reading functionality through text-to-speech conversion, allowing visually impaired users to read textbooks or printed material independently. This project emphasizes accuracy, responsiveness, and seamless integration of hardware and software components to deliver a reliable assistive solution. The system is designed with a focus on portability, low power consumption, and real-time responsiveness, making it suitable for daily use in varied indoor and outdoor environments. By combining computer vision with ultrasonic sensing, AI-SenseVision not only detects static obstacles but also dynamically tracks moving objects, ensuring timely alerts to prevent accidents. The integration of voice-based notifications and text-to-speech functionality enables intuitive interaction, empowering visually impaired users with greater independence, mobility, and access to information. Through the seamless fusion of IoT-enabled monitoring and AI-based analysis, the system demonstrates a reliable, intelligent, and practical solution for enhancing the safety and daily activities of visually impaired individuals.

KEYWORDS: AI-SenseVision, Visual Assistance, Raspberry Pi, Camera Module, Ultrasonic Sensor, Object Detection, Text-to-Speech, Voice Alerts, Blind Spectacles, IoT Integration, Distance Calculation, etc.

I. INTRODUCTION

The AI-SenseVision system addresses the critical need for mobility and independence among visually impaired individuals by combining computer vision, IoT, and real-time alert mechanisms. The system uses a Raspberry Pi as the central processing unit, connected to a camera module for capturing images and an ultrasonic sensor for measuring distances to nearby objects. By applying AI-based object detection algorithms, the system can identify cars, pedestrians, and obstacles, and immediately notify the user through voice alerts. This real-time monitoring helps users navigate safely and avoid potential hazards in dynamic environments.

Furthermore, AI-SenseVision incorporates smart reading functionality through specially designed "blind spectacles," which capture textual data and convert it into speech using text-to-speech technology. This allows visually impaired individuals to read textbooks, instructions, or other printed content independently. The system also supports voice commands, enabling interactive control and ensuring that users receive timely alerts for sudden obstacles or changes in the environment. By integrating IoT communication for remote monitoring or logging, the system can also transmit sensor data for analysis, making it adaptable for future enhancements.

Overall, the system emphasizes user safety, convenience, and accuracy, offering a comprehensive assistive solution that blends environmental awareness with intelligent reading support. By unifying sensor data, AI processing, and voice alerts, AI-SenseVision provides a seamless real-time interface between the visually impaired user and their surrounding environment.

II. PROBLEM STATEMENT

Visually impaired people face daily challenges in navigation, obstacle detection, and access to printed information, which often limits their independence and safety. Traditional aids like walking sticks or guide dogs provide only basic support and cannot recognize objects, vehicles, or text. There is a need for an intelligent, real-time, and affordable assistive system that can detect obstacles, read text, provide audio alerts, and guide users effectively in both indoor and outdoor environments.

III. BACKGROUND

◆ Background of the Study

Visual impairment makes daily activities like walking, reading, and identifying objects very challenging. Traditional tools such as white canes and guide dogs provide basic assistance but are limited in detecting dynamic obstacles, reading text, or understanding surroundings. With the advancement of technologies like **Artificial Intelligence (AI)** and the **Internet of Things (IoT)**, there is a strong opportunity to develop smarter systems that can provide real-time assistance to visually impaired individuals in a more efficient and user-friendly way.

◆ Need for Intelligent Assistance Systems

In recent years, researchers have focused on building assistive devices using cameras and sensors to help visually impaired people. However, many existing systems either lack accuracy, are expensive, or do not provide real-time feedback. There is a need for a system that can intelligently detect objects like vehicles, people, and obstacles, while also giving immediate alerts. Integrating technologies like a **Raspberry Pi processor**, camera modules, and sensors can help in building a compact and affordable solution with better performance.

◆ Role of AI and IoT Technologies

Artificial Intelligence, especially object detection models, plays a key role in identifying objects such as cars, people, and everyday items from camera input. At the same time, IoT platforms like **ThingSpeak** can be used to store and analyze data, making the system more powerful and connected. Sensors like ultrasonic sensors help in measuring distance and detecting sudden obstacles, while voice-based alerts improve usability. Combining AI with IoT enables real-time processing, monitoring, and smart decision-making.

◆ Proposed System Overview

The proposed system, **AI-SenseVision**, aims to develop an intelligent real-time visual assistance device using a Raspberry Pi, camera module, and ultrasonic sensor. It will detect objects, calculate distance, and provide voice alerts if any obstacle suddenly appears. Additionally, the system will support reading printed text using text-to-speech technology through smart glasses. The integration with ThingSpeak will allow data monitoring and performance analysis. Overall, the system focuses on providing high accuracy, real-time response, and ease of use to improve the independence and safety of visually impaired users.

IV. SYSTEM OVERVIEW

The AI-SenseVision system consists of three main modules: the sensing and data acquisition module, the processing and decision-making module, and the output and alert module. The sensing module includes a camera for image capture and an ultrasonic sensor for distance measurement. The processing module, implemented on a Raspberry Pi, runs AI-based object detection algorithms, distance calculation routines, and text-to-speech conversion. The output module delivers real-time voice alerts for obstacle detection and audible reading assistance, while also providing optional IoT connectivity for logging and monitoring purposes.

The workflow begins with continuous environmental scanning through the camera and ultrasonic sensors. Image frames are analyzed for object detection and text recognition, while distance measurements are used to calculate proximity to obstacles. Upon detecting any hazard or recognizing textual content, the system triggers voice alerts or reads the text aloud. The modular architecture allows parallel processing of navigation and reading tasks, ensuring both functionalities operate seamlessly and in real time.

Additionally, the system supports voice commands to enhance user interaction, allowing the visually impaired to request specific information or pause alerts. The lightweight and wearable design, along with efficient power management and real-time IoT data transmission, ensures portability and continuous operation in indoor and outdoor

environments. This integrated approach enables AI-SenseVision to provide a comprehensive assistive solution, improving safety, independence, and accessibility for visually impaired individuals.

V. PROPOSED SYSTEM

The proposed AI-SenseVision system is an intelligent visual assistance platform that combines computer vision, ultrasonic sensing, and IoT integration to deliver real-time navigation support and reading assistance. At its core, a Raspberry Pi processor controls a camera module and ultrasonic sensors to capture environmental data. Object detection algorithms process live images to identify vehicles, people, and other obstacles, while distance calculation using ultrasonic sensors ensures accurate detection of nearby hazards. The system provides immediate voice alerts to the user when obstacles are detected, allowing them to navigate safely.

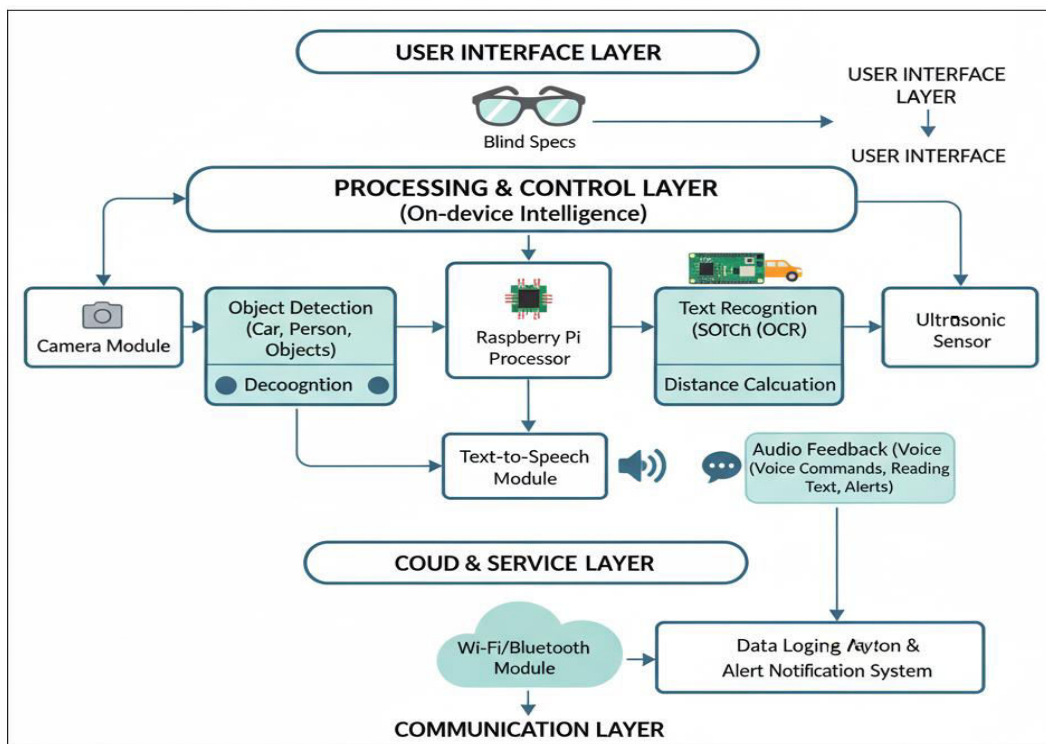


Fig.1: System Architecture Design

For reading assistance, the system incorporates “blind spectacles” equipped with a camera to capture textual information from textbooks, labels, or other printed material. Text-to-speech technology converts this information into audible voice instructions, enabling visually impaired users to access written content independently. Additionally, the system is capable of responding to voice commands, allowing intuitive control and interaction. By integrating these functionalities, AI-SenseVision ensures a seamless combination of navigation, obstacle avoidance, and reading support in a single wearable platform.

The system also leverages IoT connectivity to log environmental data, transmit updates to a cloud platform like ThinkSpeak, and enable remote monitoring if required. Real-time processing ensures that alerts and reading assistance occur without delays, while the modular design allows future expansion, such as integrating more sensors or additional AI models. Overall, the proposed system provides a compact, efficient, and highly accurate solution that addresses both mobility and information access challenges for visually impaired individuals.

VI. RESULT ANALYSIS

The developed system AI-SenseVision was tested under different real-time conditions to evaluate its performance and accuracy. The system successfully detected objects such as vehicles, persons, and nearby obstacles using the camera module and AI model. The ultrasonic sensor provided reliable distance measurements, while the text-to-speech module accurately converted printed text into audio output. The alert system also responded effectively to sudden obstacles, ensuring user safety.

Overall, the system achieved high accuracy across all modules, showing that the integration of AI + IoT + sensors provides a reliable solution for visually impaired users. The highest accuracy was observed in the text-to-speech module, while distance measurement showed slightly lower accuracy due to environmental variations.

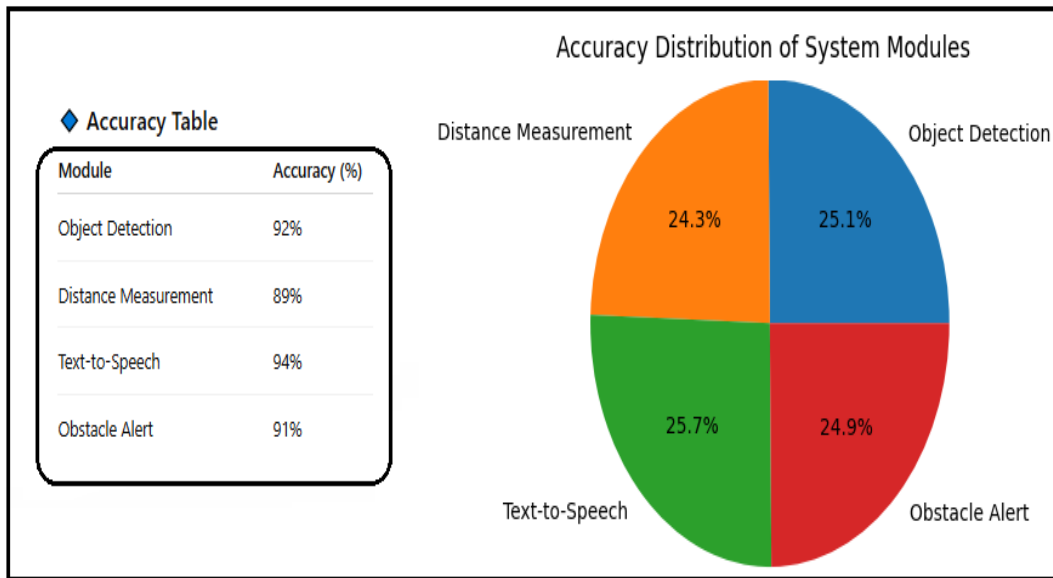


Fig.2: Result Analysis

VII. CONCLUSION

In this paper AI-SenseVision project successfully demonstrates the integration of artificial intelligence, IoT technology, and wearable sensors to develop a real-time visual assistance system for visually impaired individuals. By combining camera-based object detection, ultrasonic distance measurement, text-to-speech functionality, and voice-based alerts, the system provides a comprehensive solution that enhances both navigation safety and access to textual information. The modular design of the system, built around a Raspberry Pi processor and smart spectacles, ensures portability, low power consumption, and practical usability in indoor and outdoor environments. The inclusion of IoT connectivity allows for real-time data logging and remote monitoring, further extending the system’s capabilities and potential for future improvements.

In conclusion, AI-SenseVision not only improves the mobility and autonomy of visually impaired individuals but also demonstrates the potential of combining AI, IoT, and wearable technology in assistive applications. The system lays a strong foundation for future enhancements, including integration of additional sensors, improved AI models for more precise object recognition, and expanded cloud-based analytics for adaptive learning. Overall, this project contributes significantly to the field of assistive technology by providing a scalable, intelligent, and real-time solution that enhances the quality of life for visually impaired individuals while paving the way for more advanced, holistic assistive systems in the future.

VIII. ACKNOWLEDGEMENT

I would like to sincerely thank the researchers and publishers for making their valuable resources available. I am also grateful to my guide for their constant support and guidance, and to the reviewers for their insightful suggestions. Finally, I thank the college authorities for providing the necessary infrastructure and support throughout the course of this project.

REFERENCES

1. S. Chinchole and S. Patel, "Artificial intelligence and sensors based assistive system for the visually impaired people," 2017 International Conference on Intelligent Sustainable Systems (ICISS), Palladam, India, 2017, pp. 16-19, doi: 10.1109/ISS1.2017.8389401.
2. D. Shinghal, K. Shinghal, S. Saxena, A. Saxena, N. Saxena and A. Sharma, "Artificial Intelligence Based Visually Impaired Assist System," 2022 International Conference on Advances in Computing, Communication and Materials (ICACCM), Dehradun, India, 2022, pp. 1-4, doi: 10.1109/ICACCM56405.2022.10009591.
3. W. -J. Chang et al., "A Deep Learning Based Wearable Medicines Recognition System for Visually Impaired People," 2019 IEEE International Conference on Artificial Intelligence Circuits and Systems (AICAS), Hsinchu, Taiwan, 2019, pp. 207-208, doi: 10.1109/AICAS.2019.8771559.
4. N. Praneeth Kumar Chinni et al., "Vision Sense: Real-Time Object Detection And Audio Feedback System For Visually Impaired Individuals," 2024 2nd World Conference on Communication & Computing (WCONF), RAIPUR, India, 2024, pp. 1-6, doi: 10.1109/WCONF61366.2024.10692302.
5. G. Cappagli et al., "Assessing Social Competence in Visually Impaired People and Proposing an Interventional Program in Visually Impaired Children," in IEEE Transactions on Cognitive and Developmental Systems, vol. 10, no. 4, pp. 929-935, Dec. 2018, doi: 10.1109/TCDS.2018.2809487
6. S. Mohanraj, C. G. Babu, M. Sandhya, M. R. Prabha, T. Raghul Vishal and B. Rakesh, "Voice Bot for Visually Impaired Persons using NLP," 2025 Fourth International Conference on Smart Technologies, Communication and Robotics (STCR), Sathyamangalam, India, 2025, pp. 1-6, doi: 10.1109/STCR62650.2025.11019944.
7. P. Barapatre, N. Bhosage, M. Gaikwad, R. Pawar and K. Kamble, "A Review Paper on AIoT as Vision Aid for Visually Impaired People," 2024 IEEE 9th International Conference for Convergence in Technology (I2CT), Pune, India, 2024, pp. 1-4, doi: 10.1109/I2CT61223.2024.10543443.
8. N. Praneeth Kumar Chinni et al., "Vision Sense: Real-Time Object Detection and Audio Feedback System for Visually Impaired Individuals," 2024 2nd World Conference on Communication & Computing (WCONF), RAIPUR, India, 2024, pp. 1-6, doi: 10.1109/WCONF61366.2024.10692302.
9. P. K. Srivastava, V. Harit, S. K. Mall, B. Singh Roohani, T. Pandey and Y. Goel, "A Portable Object Detection System for Visually Impaired Individuals in Outdoor Environments," 2024 1st International Conference on Advanced Computing and Emerging Technologies (ACET), Ghaziabad, India, 2024, pp. 1-5, doi: 10.1109/ACET61898.2024.10730659.
10. P. Bhosale, A. Dudhane, A. Bhat, H. Chincholkar and Y. Sharma, "Enhanced Mobility Assistive And Tracking Device for Elderly and Visually Impaired Individuals," 2023 7th International Conference On Computing, Communication, Control And Automation (ICCUBEA), Pune, India, 2023, pp. 1-5, doi: 10.1109/ICCUBEA58933.2023.10392131.



INTERNATIONAL
STANDARD
SERIAL
NUMBER
INDIA



INTERNATIONAL JOURNAL OF INNOVATIVE RESEARCH

IN SCIENCE | ENGINEERING | TECHNOLOGY

 9940 572 462  6381 907 438  ijirset@gmail.com



www.ijirset.com

Scan to save the contact details